

# SAFETY SHUT-OFF DEVICES for Liquid Fuels



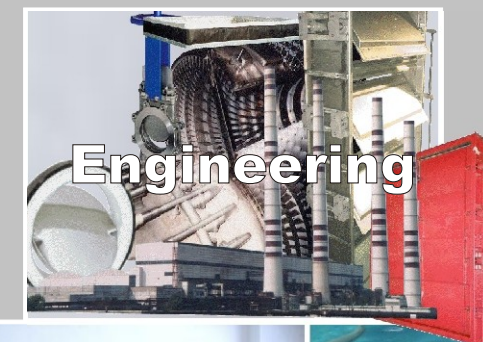
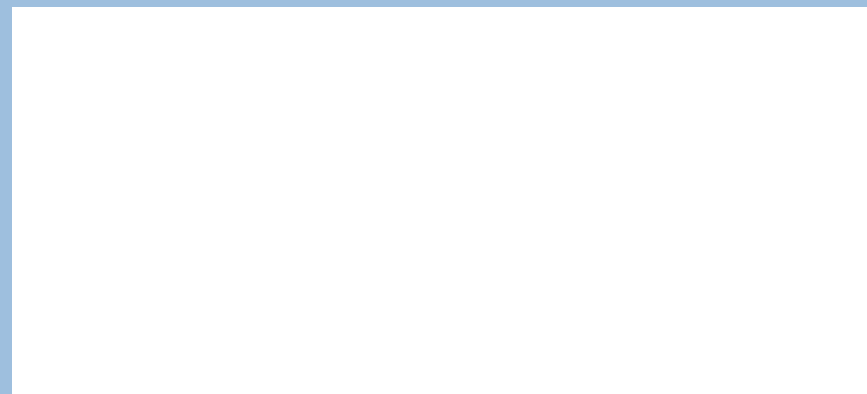
■ made  
■ in  
■ Germany

## CONTACT

ZANNI + PARTNER LTD.  
Rheinpromenade 9  
40789 Monheim  
Germany

More information  
URL: <http://www.zanni.group>

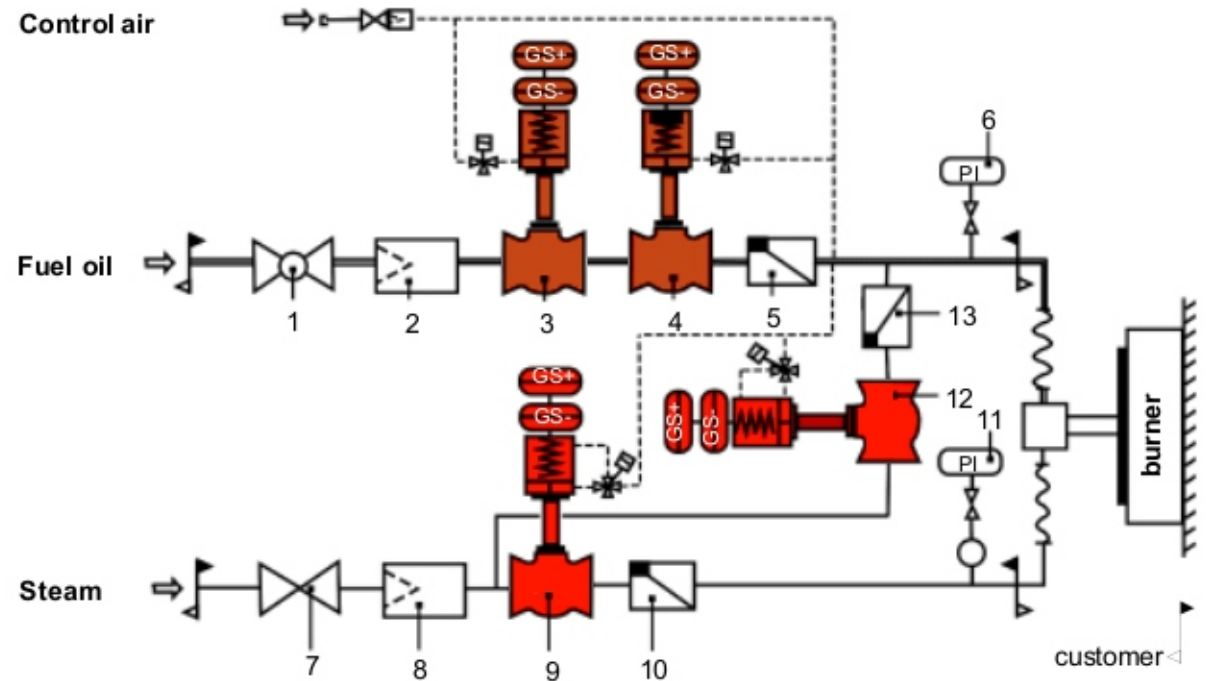
## LOCAL OFFICE



# Safety Shut-off Devices for Liquid Fuels

such as oil, fuel oil, fuels or liquid gas

## Flow Diagram of an Oil Burner Station



### Fuel Oil

- 1 Ball valve
- 2 Strainer
- 3 Quick-closing valve
- 4 Quick-closing valve with hydr. opening brake
- 5 Non-return valve
- 6 Pressure measuring point

### Atomizing Steam

- 7 Shut-off valve
- 8 Strainer
- 9 Quick-closing valve
- 10 Non-return valve
- 11 Pressure measuring point

### Purging Steam

- 12 Quick-closing valve
- 13 Non-return valve



- Uniform clearly structured and easy-to-maintain system for the operation of oil burners
- Ready-to-connect unit checked for tightness and proper functioning
- Quick-closing valves according to EC prototype test (Modul B) in accordance with Directive 97/23/EC including a component test to EN 264 and DIN 32 725
- Delivery conditions to DIN 3230-T6
- Material certificates to EN 10 204-3.1 B
- Modified equipment including control valve, volumetric meter, pressure measuring points etc. available on request

# Safety Shut-off Devices for Liquid Fuels

such as oil, fuel oil, fuels or liquid gas

## Quick-closing Valve Combination for Oil-Burners Type KVF-KVF/R



### Application

- Oil firing systems on steam boilers to TRD 411
- Automatically acting safety device for liquid and gaseous media in all industrial fields.
- Valves with type testing to:
  - 97/23/EC Pressure Equipment Directive, module B
  - DIN EN 264 Safety shut-off devices for combustion plants using liquid fuels
  - DIN 32 725 Safety shut-off devices for liquid gas in the liquid phase
  - DIN EN 12 952 Water tube boilers and auxiliary installations
  - DIN EN 12 953 Shell boilers
- Nominal diameter: 15 to 50 mm
- Operating pressure: up to 100 bar
- Operating temperature: -15°C to 220°C

### Technical Data

- Valve body: Forged steel C 22.8
- Stainless steel 1.4408
- Plug seal: Teflon (PTFE)
- Stem seal: Maintenance-free due to stainless steel bellows
- Actuator: Pneumatic piston actuator with closing spring
- Control:
  - Electromagnetically operated 3/2 directional valve
  - Position indication via limit switches

Larger nominal diameters and special designs available on request.

## Valve for Atomizing and Purging Steam Type KVF

### Application

- Oil firing systems on steam boilers to TRD 411
- Valves with type testing to:
  - 97/23/EC Pressure Equipment Directive, module B
- Nominal diameter: 15 to 50 mm
- Operating pressure: up to 45 bar
- Operating temperature: 200° C to 450° C

### Technical Data

- Valva body: Forged steel C 22.8
- Plug seal: Metal-to-metal, ground-in
- Steam seal: Maintenance-free due to stainless steel bellows
- Actuator: Pneumatic piston actuator with closing spring
- Control:
  - Electromagnetically operated 3/2 directional valve
  - Position indication via limit switches

Larger nominal diameters and designs available on request

